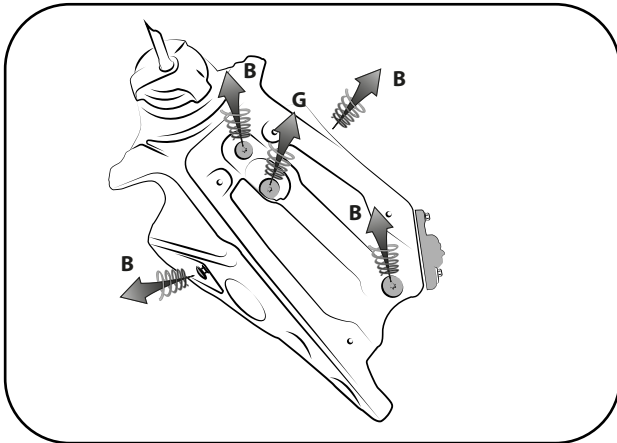
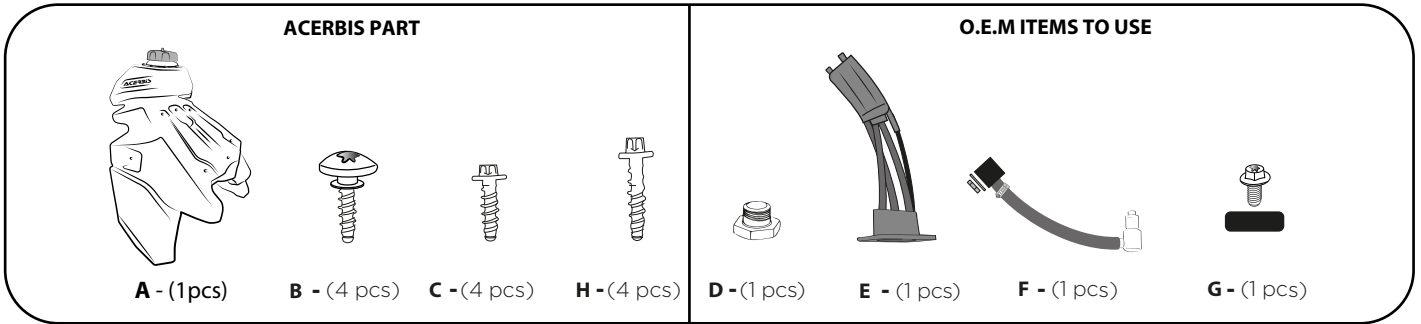


# FUEL TANK HUSQUARNA TE/FE 15 L - 3,9 GAL

## SERBATOIO HUSQUARNA TE/FE 15 L

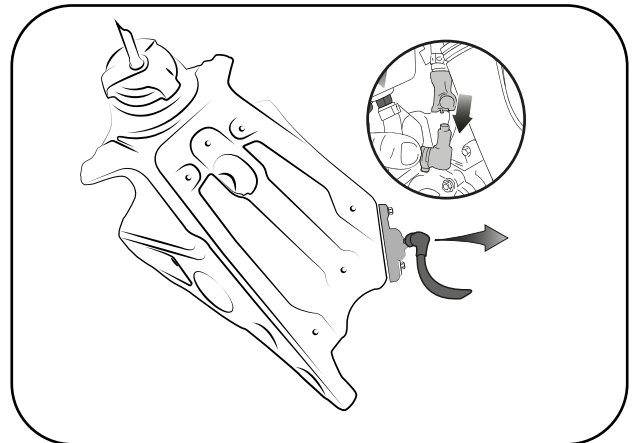
# ACERBIS

COD. 500007067



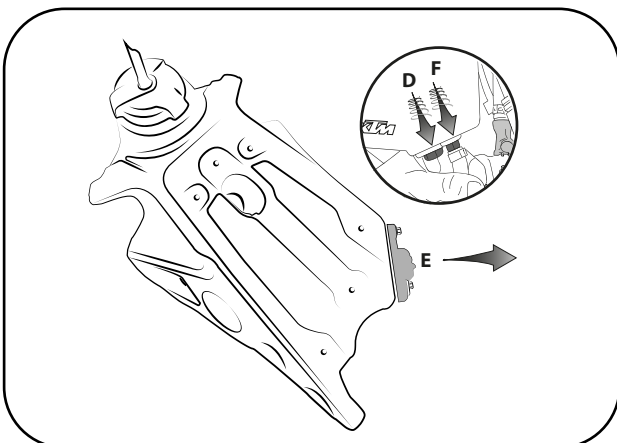
**1 - Empty any remaining fuel from original fuel tank. Remove the seat, side panels and radiator scoops. Remove the screws (B) that fixing seat, radiator scoops and tank (G).**

1 - Svuotare completamente la benzina dal serbatoio originale. Smontare la sella, i fianchetti e gli spoiler radiatore. Togliere le viti (B) fissaggio sella e spoiler. Togliere la vite serbatoio (G).



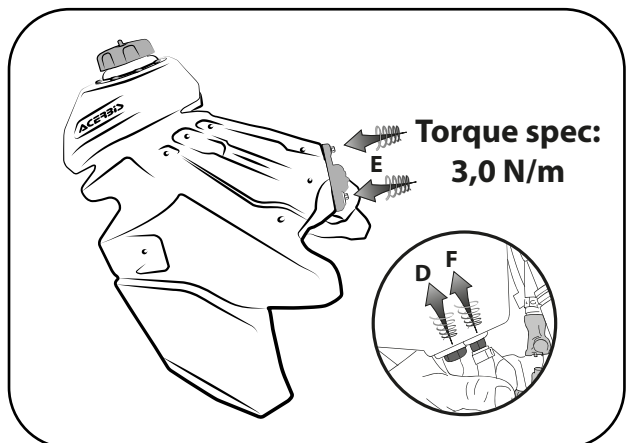
**2 - Disconnect the fuel pump cover cable and the fuel connector as indicated in the diagram. Remove the original tank.**

2 - Sconnettere il cavo alimentazione della pompa. Scollegare connettore benzina. Togliere il serbatoio originale.



**3 - Remove the pump (E) and the fasteners (D/F) from the original tank.**

3 - Rimuovere la pompa (E) e le utenze (D/F) dal serbatoio originale.



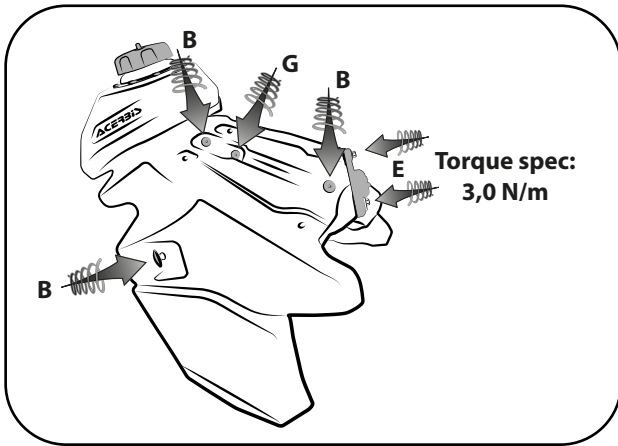
**4 - Assemble the pump (E) using the Screws, and the fasteners (D/F) on the Acerbis fuel tank.**

4 - Sul serbatoio Acerbis, rimontare la pompa (E) utilizzando le viti (H) e le utenze (D/F).

# FUEL TANK HUSQUARNA TE/FE 15 L - 3,9 GAL **ACERBIS**

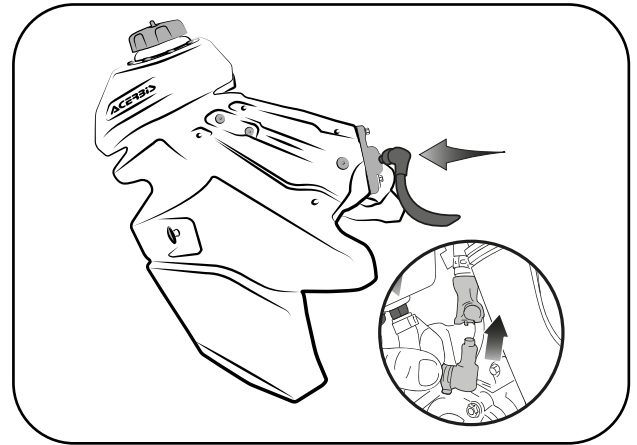
## SERBATOIO HUSQUARNA TE/FE 15 L

COD. 500007067



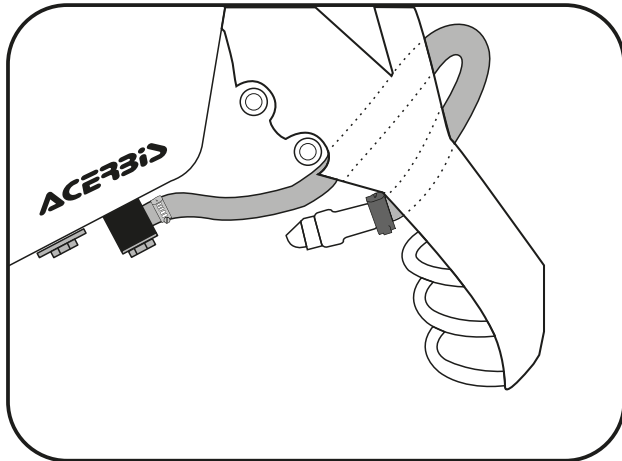
**5 - Place the Acerbis fuel tank (A) on the bike. Insert the tank (G), seat (B) and radiator scoops screws (C) as indicated in the diagram.**

**5 - Montare il serbatoio Acerbis sulla moto. Riavvitare la vite (G). Riavvitare le viti (B + C) della sella e degli spoiler.**



**6 - Reconnect the fuel pump power cable and the fuel connector. Assemble the radiator scoops, side panels and seat.**

**6 - Riconnettere il cavo di alimentazione pompa, e il connettore benzina. Rimontare i fianchetti, gli spoiler e la sella.**



**7 - Attach the HUSQVARNA fuel line to the Acerbis tank (A) as indicated in the diagram. Make sure the fuel line isn't folded over, obstructing the fuel flow.**

**7 - ATTENZIONE: dettaglio montaggio tubo/pompa. Fissare il tubo pompa come indicato. Fare attenzione che il tubo piegandosi non crei strozzature.**

### LIBERATORIA

LIBERATORIA: A causa di variabili inponderabili nel processo di stampaggio rotazionale dei serbatoi, questi possono differire in forma e dimensioni fino al 7% rispetto alla capacità dichiarata.

**FOR COMPETITION USE ONLY  
SOLO PER USO AGONISTICO**

# ACERBIS

Thank you for purchasing an ACERBIS fuel tank

## WARNING

It is **EXTREMELY IMPORTANT** that the fuel tank be properly installed. To ensure proper installation, it is **STRONGLY RECOMMENDED** that the tank be installed only by a qualified OEM licensed dealership mechanic. Improper installation could result in serious injury or even death.

**If self-installed NOTE THE FOLLOWING.** Particular attention must be paid to excessive fuel line length and fuel line proximity to hot engine areas and pipes to prevent fire.

Clean tank interior thoroughly before installation. Install this fuel tank only in a well ventilated area, as gasoline fumes are extremely dangerous. Do not start or operate the vehicle if there are any fuel leaks! Read all instruction first before beginning installation.

## DISCLAIMER

Due to uncontrolled variables in the manufacturing process of rotationally molded fuel tanks, the fuel tank may vary in size and shape by up to 7% of the manufacturer's original listed capacity.