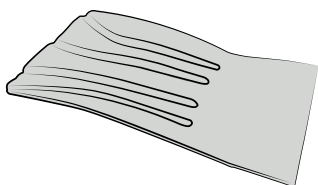


# UNIVERSAL LINKAGE GUARD PROTEZIONE LINK UNIVERSALE

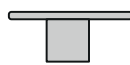
ACERBIS®

COD. 500006129

## ACERBIS PARTS



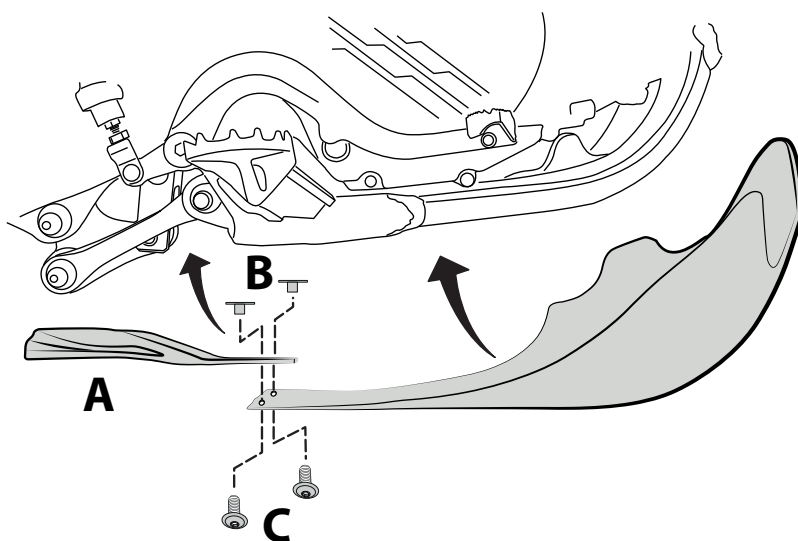
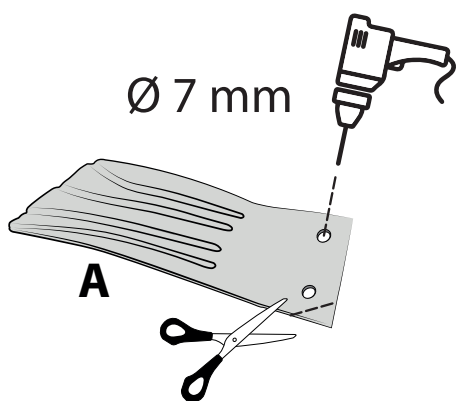
A (1 pcs)



B (2 pcs)



C (2 pcs)



**1 - Remove your skid plate. Locate an area at the back of the skid plate where the linkage guard (A) will fit the best. Using a 7mm drill bit, drill holes through both the linkage guard and skid plate. Modify/cut the linkage guard (A) as needed to achieve a solid fit to the skid plate. Fasten linkage guard to the skid plate using the threaded inserts (B) and the (C) bolts. Make sure the bolts are tight. \* A small dab of thread lock is recommended. ATTENTION: Make sure the linkage guard is at least 30mm away from the rear wheel.**

1 - Smontare il sottomotore Acerbis o il sottomotore originale. Forare la pinna (A) universale (per la posizione e la distanza dei fori prendere come riferimento i fori presenti nel sottomotore, se presenti). Altrimenti forare pinna e sottomotore. Nei casi dove la pinna dovesse interferire con parti del sottomotore, tagliare e sagomare per proprie esigenze. Inserire le boccole (B) nella pinna e nel sottomotore, quindi bloccare con le viti (C).

ATTENZIONE: la pinna deve rimanere distante dalla ruota 30 mm.

### WARNING!

Use at your own risk. Check the security of your device before you ride. Be sure that you follow the instructions installing the Acerbis products. Do not ride if there is missing or damaged hardware. If this is the case, take the item immediately back to your dealer. Make sure the throttle and other controls are free every time you ride. Lack of attention to instruction and warning could lead to interference with the controls, loss of control, and accidents. Acerbis recommends that installation must be done by a licensed mechanic and that only Acerbis original parts are used during fitting. Acerbis makes no guarantees or representations, express or implied, regarding the fitness of its products for any particular purpose. Acerbis makes no guarantees or representations, express or implied, regarding the extent to which its product protect individuals or property from injury or death or damage.